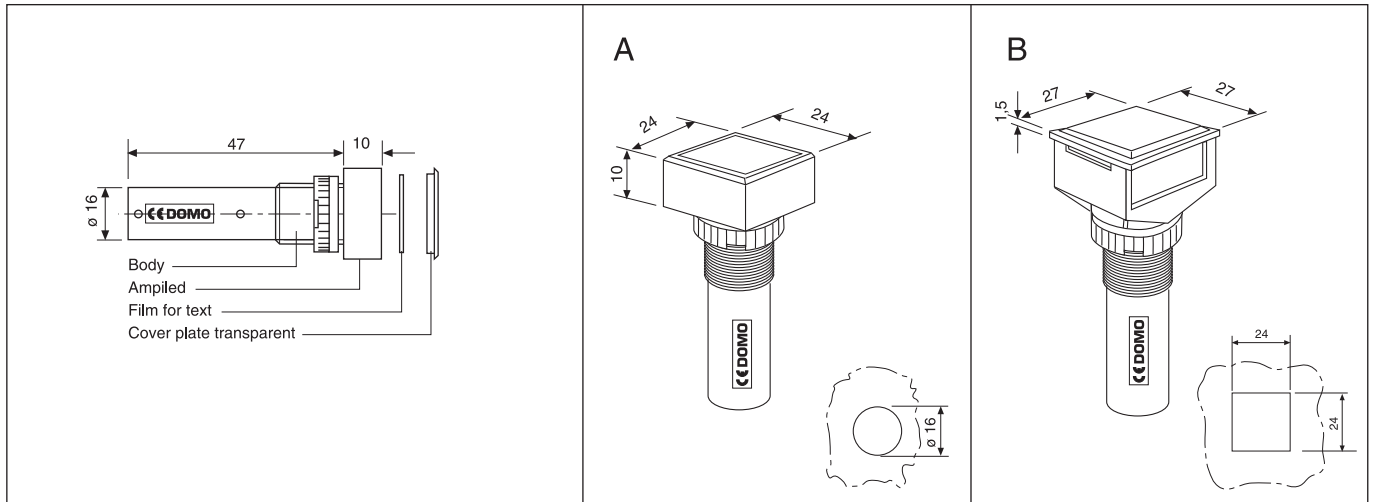
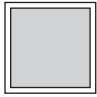
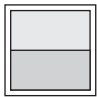




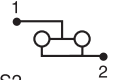
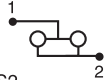
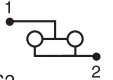
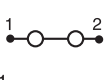
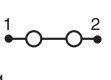
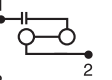


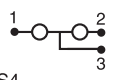
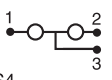
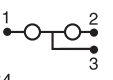
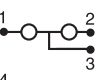
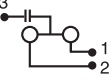
HL16.24
24 x 24

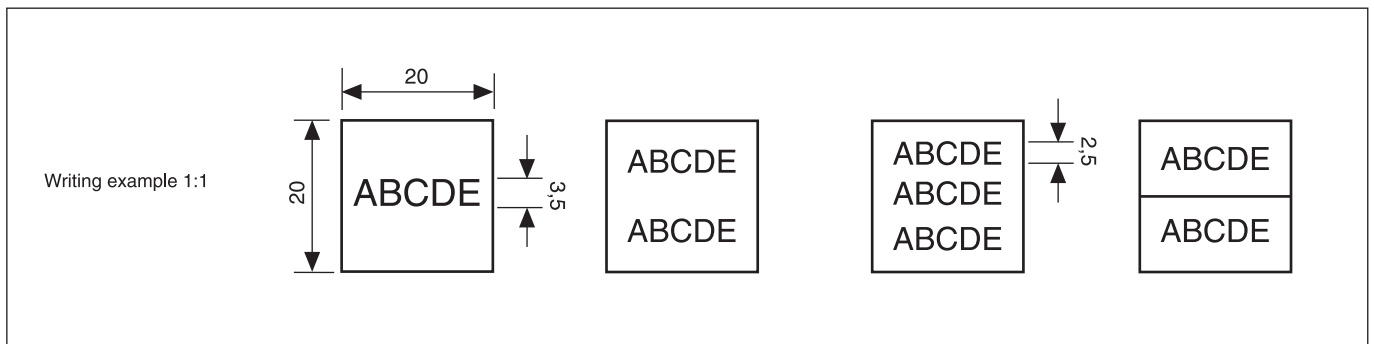
Led / Ampiled visual indicator
Visualizzatori luminosi Ampiled



<p>1 Face</p> 	<p>Red Green Yellow Orange White Yellow Blue</p>	<p>HL16A. 241R. Vxx HL16A. 241G. Vxx HL16A. 241Y. Vxx HL16A. 241O. Vxx HL16A. 241WY. Vxx HL16A. 241B. Vxx</p>	<p>HL16B. 241R. Vxx HL16B. 241G. Vxx HL16B. 241Y. Vxx HL16B. 241O. Vxx HL16B. 241WY. Vxx HL16B. 241B. Vxx</p>
---	--	---	---

<p>2 Face</p> 	<p>Red -Red Green - Green White Y. -White Y. Red-Green</p>	<p>HL16A. 242RR. Vxx HL16A. 242GG. Vxx HL16A. 242WYY. Vxx HL16A. 242RG. Vxx</p>	<p>HL16B. 242RR. Vxx HL16B. 242GG. Vxx HL16B. 242WYY. Vxx HL16B. 242RG. Vxx</p>
---	--	---	---

	Connections Tab 2,8 x 0,8	012 V AC/DC	024 V AC/DC	048 V AC/DC	110 V AC/DC	130 V AC/DC	220 - 240 V * AC
		 <p>S2</p>	 <p>S2</p>	 <p>S2</p>	 <p>S1</p>	 <p>S1</p>	 <p>S3</p>
		 <p>S4</p>	 <p>S4</p>	 <p>S4</p>	 <p>S4</p>		 <p>S5</p>

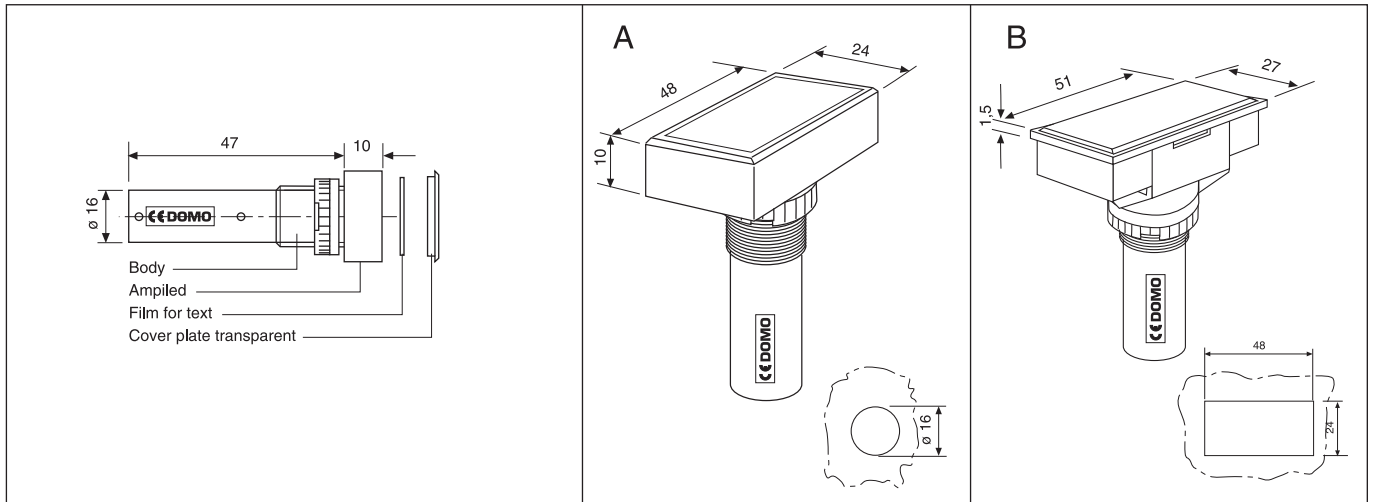



Body material: Polycarbonate V0/UL94
 Colour: Black
 Protection degree: IP54
 Led consumption: S1 15mA - S2 30mA - S3 20mA - S4 15+15mA - S5 20+20 mA

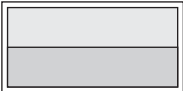
*Supply Voltage: 220 Vac, lamp test not available
 Connections: Terminal tabs 2,8x0,8
 Ampiled not exchangeable



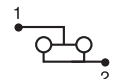
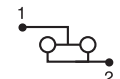
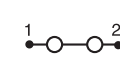
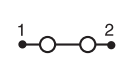
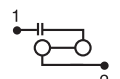


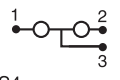
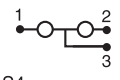
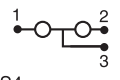
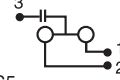
HL16.48
48 x24

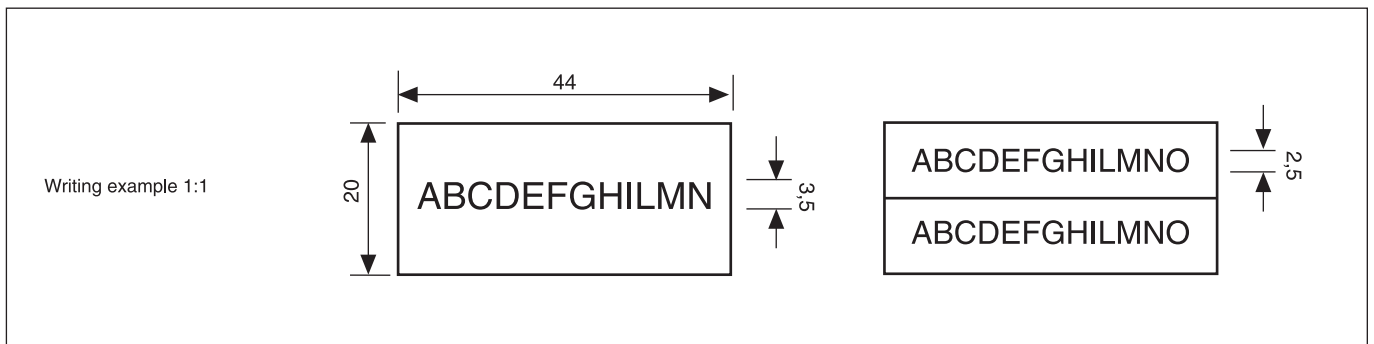
Led / Ampiled visual indicator
Visualizzatori luminosi Ampiled



<p>1 Face</p> 	<p>Red Green Yellow Orange White Yellow</p>	<p>HL16A. 481R. Vxx HL16A. 481G. Vxx HL16A. 481Y. Vxx HL16A. 481O. Vxx HL16A. 481WY. Vxx</p>	<p>HL16B. 481R. Vxx HL16B. 481G. Vxx HL16B. 481Y. Vxx HL16B. 481O. Vxx HL16B. 481WY. Vxx</p>
---	---	--	--

<p>2 Face</p> 	<p>Red-Red Green - Green White.Y - White.Y Red-Green</p>	<p>HL16A. 482RR. Vxx HL16A. 482GG. Vxx HL16A. 482WYY. Vxx HL16A. 482RG. Vxx</p>	<p>HL16B. 482R. Vxx HL16B. 482G. Vxx HL16B. 482WYY. Vxx HL16B. 482RG. Vxx</p>
---	--	---	---

	Connections TAB 2,8 x 0,8	024 V AC/DC	048 V AC/DC	110 V AC/DC	130 V AC/DC	220 - 240 V* AC
		 <p>S2</p>	 <p>S2</p>	 <p>S1</p>	 <p>S1</p>	 <p>S3</p>
		 <p>S4</p>	 <p>S4</p>	 <p>S4</p>		 <p>S5</p>



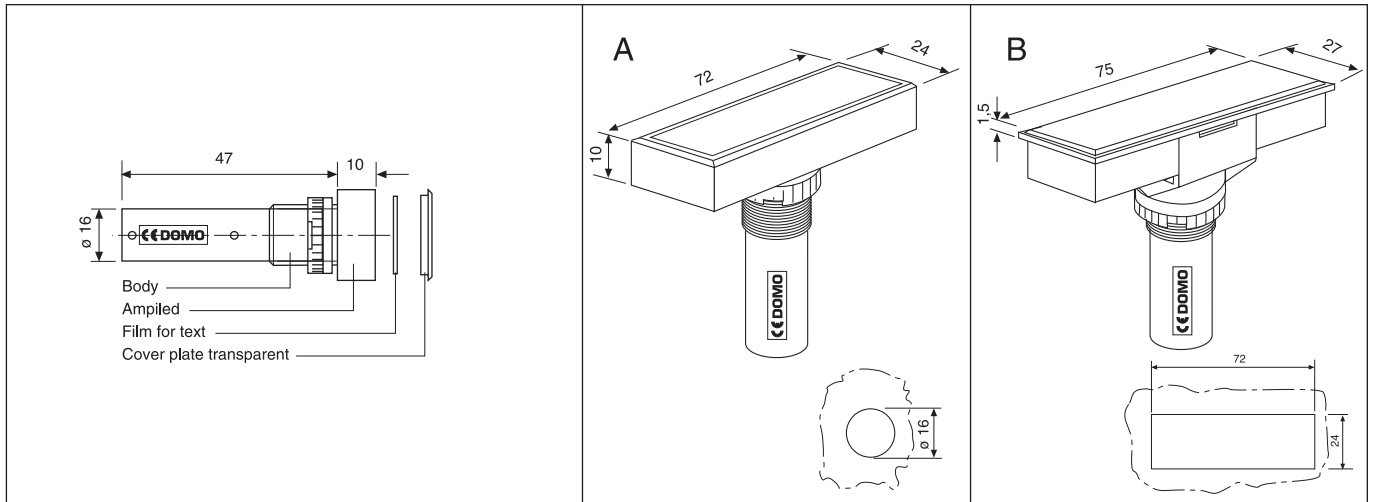
Body material: Polycarbonate V0/UL94
 Colour: Black
 Protection degree: IP54
 Led consumption: S1 15mA - S2 30mA - S3 20mA - S4 15+15mA - S5 20+20 ma

*Supply Voltage: 220 Vac, lamp test not available
 Connections: Terminal tabs 2,8x0,8
 Ampiled not exchangeable

HL16.72

72 x 24

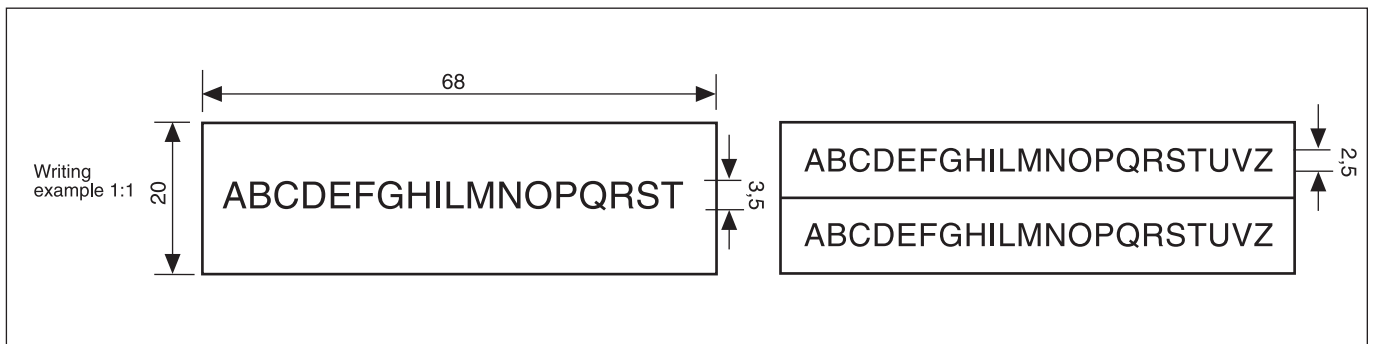
Led / Ampiled visual indicator Visualizzatori luminosi Ampiled



<p>1 Face</p>	<p>Red Green Yellow Orange White Yellow</p>	<p>HL16A. 721R. Vxxx HL16A. 721G. Vxx HL16A. 721Y. Vxx HL16A. 721O. Vxx HL16A. 721WY. Vxx</p>	<p>HL16B. 721R. Vxx HL16B. 721G. Vxx HL16B. 721Y. Vxx HL16B. 721O. Vxx HL16B. 721WY. Vxx</p>
---------------	---	---	--

<p>2 Face</p>	<p>Red -Red Green - Green White Y. - White Y. Red-Green</p>	<p>HL16A. 722RR. Vxx HL16A. 722GG. Vxx HL16A. 722WYY. Vxx HL16A. 722RG. Vxx</p>	<p>HL16B. 722R. Vxx HL16B. 722G. Vxx HL16B. 722WYY. Vxx HL16B. 722RG. Vxx</p>
---------------	---	---	---

	Connections Tab 2,8 x 0,8	024 V AC/DC	048 V AC/DC	110 V AC/DC	130 V AC/DC	220 - 240 V* AC



Body material: Polycarbonate V0/UL94
 Colour: Black
 Protection degree: IP54
 Led consumption: S1 15mA - S2 30mA - S3 20mA - S4 15+15mA - S5 20+20 mA

*Supply Voltage: 220 Vac, lamp test not available
 Connections: Terminal tabs 2,8x0,8
 Ampiled not exchangeable